



GRAND-DUCHÉ DE LUXEMBOURG

Ministère du Développement durable
et des Infrastructures
Département des Transports

L-2938 Luxembourg

SOCIÉTÉ NATIONALE DE
CERTIFICATION ET D'HOMOLOGATION
s.à r.l.

Registre de Commerce: B 27180

L-5201 Sandweiler



Référence: E13*73R00*73R01*0023*00

Annexes: - Rapport Technique
- Fiche de Renseignements du constructeur

Sandweiler, le 02 juin 2015

COMMUNICATION



concernant 2/:
concerning 2/:

- DÉLIVRANCE D'UNE HOMOLOGATION
APPROVAL GRANTED
- EXTENSION D'HOMOLOGATION
APPROVAL EXTENDED
- REFUS D'HOMOLOGATION
APPROVAL REFUSED
- RETRAIT D'HOMOLOGATION
APPROVAL WITHDRAWN
- ARRÊT DÉFINITIF DE LA PRODUCTION
PRODUCTION DEFINITELY DISCONTINUED

d'un type de: dispositif de protection latérale (DPL) en vertu de la partie II du Règlement N° 73
of a type of: lateral protection device (LPD) pursuant to Part II of Regulation N° 73

Numéro d'homologation:

Approval number:

E13*73R00*73R01*0023*00

Marque d'homologation:

Approval mark:

73 R-010023

1. Nom et marque commerciale du DPL:

Trade name or mark of LPD:

CO.PAR. S.r.l.

2. Type de DPL:

Type of LPD:

MINI BOX / NOVA BOX

3. Nom et adresse du fabricant:

Name and address of manufacturer:

CO.PAR. SRL
Via Casoni Nuova, 12
I – 35014 Fontaniva (PD)

4. Le cas échéant, nom et adresse du représentant du fabricant:

If applicable, name and address of manufacturer's representative:

not applicable

5. Caractéristiques du DPL (dimensions et éléments de fixation):

Characteristics of the LPD (dimensions and its links):

see manufacturer's information folder

6. **Essai effectué sur un montage rigide / sur un véhicule / sur des éléments représentatifs du véhicule 2/:**
 Test conducted on a rigid bench / ~~on a vehicle /~~ / on a representative part of the vehicle 2/: on a rigid bench
7. **Emplacement, sur le DPL, des points d'application des forces d'essai:**
 Position on the LPD of the points of application of the test forces: center of device
8. **Catégorie de véhicule sur laquelle le DPL peut être installé:**
 Vehicle category on which the LPD may be installed: N₂, N₃, O₃, O₄
9. **Dispositif présenté à l'homologation le:**
 Device submitted for approval on: 23.03.2015
10. **Autorité déléguée:**
Assigned authority: Société Nationale de Certification et d'Homologation
 L-5201 Sandweiler
- Service technique chargé des essais d'homologation:**
 Technical service responsible for conducting approval tests: Luxcontrol SA
 B.P. 349
 L-4004 Esch-sur-Alzette
11. **Date du procès-verbal émis par ce service:**
 Date of report issued by that service: 01.06.2015
12. **Numéro du procès-verbal émis par ce service:**
 Number of report issued by that service: LCA 54 0853 002 15
13. **Homologation:**
 Approval: accordée / ~~refusée~~ / étendue / ~~retirée~~ 2/
 granted / ~~refused~~ / extended / ~~withdrawn~~ 2/
14. **Emplacement, sur le DPL, de la marque d'homologation:**
 Position of approval mark on the LPD: stamped on the inner part of the cover and on the linking parts
 (see manufacturer's information document)

15. **Lieu:**
Place: Sandweiler
16. **Date:**
Date: 02 juin 2015
17. **Signature:**
Signature:

Pour le Département des Transports



Marco FELTES
Inspecteur Principal 1^{er} en rang

Pour la SNCH



Claude LIESCH
Directeur



18. **Les pièces suivantes, qui portent le numéro d'homologation indiqué ci-dessus, sont disponibles sur demande:**
The following documents, bearing the approval number shown above, are available upon request: see index to type-approval report

Modifications faisant l'objet de la présente extension
Modifications of this extension

not applicable



GRAND-DUCHÉ DE LUXEMBOURG

Ministère du Développement durable
et des Infrastructures
Département des Transports

L-2938 Luxembourg

SOCIÉTÉ NATIONALE DE
CERTIFICATION ET D'HOMOLOGATION

s.à r.l.

Registre de Commerce: B 27180

L-5201 Sandweiler



Référence: E13*73R00*73R01*0023*00

Annexes: - Rapport Technique
- Fiche de Renseignements du constructeur

Sandweiler, le 02 juin 2015

Index du dossier d'homologation

Index to type-approval report

Numéro d'homologation:

Approval number:

E13*73R00*73R01*0023*00

Révision:

Revision:

00

Marque de fabrique ou de commerce:

Trade name or mark:

CO.PAR. S.r.l.

Type:

Type:

MINI BOX / NOVA BOX

1. Procès-verbal d'essai:

Test report:

N° LCA 54 0853 002 15

- Technical report:
- Index to information folder:

Pages 1 to 6;
Annex A - Page 1.

2. Dossier du constructeur:

Report of the manufacturer:

N° SI/COP-03

- Information folder:

refer to Annex A of technical report.

3. Autres documents annexés:

Other documents annexed:

not applicable

4. Date de délivrance de l'homologation initiale:

Date of issue of initial type approval:

02.06.2015

5. Date de la dernière délivrance de pages révisées:

Date of last issue of revised pages:

not applicable

6. Date de la dernière délivrance d'une homologation révisée:

Date of last extension:

not applicable



- Position of applied forces:

Version	Distance of attachments brackets	Position of applied force	Deformation [mm]	Limit [mm]
Nova Box 80	1200 mm (*)	Center (600 mm from brackets)	7,6 (*)	150
		Lower left corner	7,3 (*)	150
		250 mm forward of last bracket (no such position forward to last bracket) Force applied on center being considered as worst case	7,6 (*)	30
		Physical test made for comparison	4 (**)	

(*) the Nova Box has a length of 800mm. But in order to cover future variations, the calculation has been made **considering the length of the box of 1200 mm**, with the distance of attachments being of 1200 mm

(**) the physical test has been made on Nova Box 80

14.5. Fixation:

- permanently fixed to the vehicle

14.6. Several positions at the side of the vehicle:

- not applicable

Requirements for LPD strength were fulfilled without failures

2.3.

Remarks

2.3.1.

General

Inspection results are only applicable to items, which have been tested.

2.4.

Test facilities

All measuring and test equipment used to carry out the inspections is in accordance with the EC-Directive and/or ECE-Regulation stated in 1.1. of this report and with the ISO 17025.



1. **General**

1.1. **Test provisions**

The inspection was carried out according to ECE-Regulation No. R73 including series 01 of amendment which entered into force on December 09, 2010.

1.2. **Information concerning the vehicle type and the requested approval**

The statements below apply to the previous type-approval as referred to on page 1.

1.2.1. **[] Numbering according to the communication concerning the approval following ECE-R73, PART II, Annex 1**

[1.]	Trade name or mark of LPD:	CO.PAR. S.r.l.
[2.]	Type of LPD:	MINI BOX / NOVA BOX
[3.]	Manufacturer's name and address:	CO.PAR. SRL Via Casoni Nuova, 12 I – 35014 Fontaniva (PD)
[4.]	If applicable, name and address of manufacturer's representative:	Not applicable
[5.]	Characteristics of the LPD (dimensions and its links):	See information document
[6.]	Test conducted on a rigid bench/ on a vehicle/ on a representative part of the vehicle:	Not applicable calculation, supported by physical test made on rigid bench
[7.]	Position on the LPD of the points of application of the test forces:	Center of device
[8.]	Vehicle category on which the LPD may be installed:	N2, N3, O3, O4
[9.]	Device submitted for approval on:	23 march 2015
[14.]	Position of approval mark on the LPD:	See Annex B



2. Inspections and their results

2.1. Version of the tested item

Following version has been used for testing the lateral protection (if not stated in part 1.2.1 of this report):

Version: Nova Box 80

2.2. Inspection items

	Inspector	Location of test	Date of receipt of test item	Date of test / verification
Main report	A. Tomasini	Luxcontrol s.a.	26.02.2015	23.03.2015
		Evit I - Verona		21.05.2015

2.2.1. GENERAL REQUIREMENTS:

The conditions of the Regulation under item 14 are satisfied.

2.2.2. TECHNICAL SPECIFICATIONS FOR LATERAL PROTECTIVE DEVICES:

14.1. Outer surface:

- requirements fulfilled
- external edges and corners > 2.5 mm radius

14.2. Side guards:

- continuous surface, ~~horizontal rails (< 300 mm apart)~~
- ~~min 50 mm high~~ / min 100 mm high

14.3. Forward edge:

- continuous vertical member
- outer and forward faces ~~50 mm~~ / 100 mm rearwards
- turned 100 mm inwards
- ~~or have a minimum radius of 50 mm / 100 mm~~

14.4. Material:

- rigid metal
- Rigidity of 1kN requirement fulfilled



- Position of applied forces:

Version	Distance of attachments brackets	Position of applied force	Deformation [mm]	Limit [mm]
Nova Box 80	1200 mm	Center (600 mm from brackets)	7,6 (*)	150
		Lower left corner	7,3 (*)	150
		250 mm forward of last bracket (no such position forward to last bracket) Force applied on center being considered as worst case	7,6 (*)	30
		Physical test made for comparison	8	

(*) calculation has been made with distance of attachments of 1200 mm, in order to cover future variations

14.5. Fixation:

- permanently fixed to the vehicle

14.6. Several positions at the side of the vehicle:

- not applicable

Requirements for LPD strength were fulfilled without failures

2.3.

Remarks

2.3.1.

General

Inspection results are only applicable to items, which have been tested.

2.4.

Test facilities

All measuring and test equipment used to carry out the inspections is in accordance with the EC-Directive and/or ECE-Regulation stated in 1.1. of this report and with the ISO 17025.



3. Evaluation of test results

3.1. Variations and equipment covered

The tests carried out cover the following variations as far as these are relevant for the lateral protection device:

- **See information folder**

3.2. Remark

3.2.1. General

The test results stated above are representative for this device.



4. **Statement of compliance**

The inspections items and measurements carried out have shown the compliance of the vehicle type described in this report and the attached Annex with the requirements of ECE-Regulation No. R73 including amendment 01 which entered into force on December 09, 2010.

L – Esch/Alzette, June 1, 2015

Luxcontrol s.a.
Service Homologation-automobile

Angelo Tomasini
Ingénieur-Inspecteur

Patrizio Vinciarelli
Ingénieur-Inspecteur



SCHEDA INFORMATIVA
INFORMATION FOLDER
N° SI/COP-03 of 09.02.2015

CO.PAR S.r.l.
Via Casoni Nuova, 12,
I-35014 Fontaniva (PD) Italia

Conforme al Reg. ECE ONU N° 73 serie di modifiche 01 per l'omologazione di un Dispositivo di Protezione Laterale (LPD)
According to Reg. ECE ONU N°73, series of amendments 01, concerning the approval of a Lateral Protective Device (LPD)

INDICE / INDEX

Descrizione:	Pagina:
DATI GENERALI	2
<i>GENERAL</i>	<i>2</i>
CARATTERISTICHE COSTRUTTIVE GENERALI DEL DISPOSITIVO DI PROTEZIONE LATERALE	2
<i>GENERAL CONSTRUCTION CHARACTERISTICS OF THE LATERAL PROTECTION DEVICE</i>	<i>2</i>
ELENCO ALLEGATI	4
<i>ATTACHMENTS</i>	<i>4</i>



SCHEDA INFORMATIVA
INFORMATION FOLDER
N° SI/COP-03 of 09.02.2015

CO.PAR S.r.l.
 Via Casoni Nuova, 12,
 I-35014 Fontaniva (PD) Italia

0. DATI GENERALI
GENERAL

- 0.1. Marca (denominazione commerciale del costruttore):
Make (trade name of manufacturer): **CO.PAR. S.r.l.**
- 0.2. Tipo del dispositivo di protezione laterale:
Type of the lateral protection device: **Tipo / Type : MINI BOX / NOVA BOX**
- 0.5. Denominazione e indirizzo del costruttore:
Name and address of manufacturer: **CO.PAR. S.r.l.**
Via Casoni Nuova, 12,
I-35014 Fontaniva (PD) Italia
- 0.6. Posizione e modalità di apposizione del marchio di omologazione per componenti ed entità tecniche:
In case of components and separate technical units, location and method of affixing of the approval mark: **Marchio di omologazione inciso o punzonato nella parte posteriore del coperchio e sui supporti**
Approval mark stamped on the inner part of the cover and on the linking parts

Vedere disegno 033100020 del 09/02/2015
See drawing 033100020 del 09/02/2015
- 0.8. Indirizzo dello o degli stabilimenti di montaggio:
Address(es) of assembly plant(s): **Via Casoni Nuova, 12,**
I-35014 Fontaniva (PD) Italia
- 1. CARATTERISTICHE COSTRUTTIVE GENERALI DEL DISPOSITIVO DI PROTEZIONE LATERALE**
GENERAL CONSTRUCTION CHARACTERISTICS OF THE LATERAL PROTECTION DEVICE
- 1.1. Descrizione completa e/o disegni del dispositivo di protezione laterale (compresi gli elementi di supporto e di fissaggio):
Full description and/or drawing of the lateral protection device (including mounting and fittings): **vedere disegni / see drawings**
MINI BOX 35 del 31/07/2009
NOVA BOX 50 del 11/03/2015
NOVA BOX 50 D del 11/03/2015
NOVA BOX 60 del 01/09/2009
NOVA BOX 64 del 01/09/2009
NOVA BOX 80 del 01/09/2009

Materiale / Material :
Cassetta / Box:
Polipropilene co-polimero / Copolymer
polypropylene (σ_{min} : 16 MPa)

Supporti / Linking parts:
acciaio / steel S275JR+AR (σ_{min} : 275MPa)
- 1.2. Categoria del veicolo su cui il dispositivo di protezione laterale può essere montato:
Vehicle category on which the LPD may be installed: **N2 - N3 - O3 - O4**



SCHEMA INFORMATIVA
INFORMATION FOLDER
N° SI/COP-03 of 09.02.2015

CO.PAR S.r.l.
Via Casoni Nuova, 12,
I-35014 Fontaniva (PD) Italia

- 1.3. Istruzioni tecniche di montaggio della protezione laterale sui veicoli:
Technical instructions for mounting the lateral protection device on the vehicle:

vedere disegni / see drawings
MINI BOX 35 del 31/07/2009
NOVA BOX 50 del 11/03/2015
NOVA BOX 50 D del 11/03/2015
NOVA BOX 60 del 01/09/2009
NOVA BOX 64 del 01/09/2009
NOVA BOX 80 del 01/09/2009

Verona, 09.02.2015

In Fede, per la Ditta
CO.PAR S.r.l.
.....
(dott. ing. Gabriele Zivelonghi)



SCHEDA INFORMATIVA
INFORMATION FOLDER
N° SI/COP-03 of 09.02.2015

CO.PAR S.r.l.
 Via Casoni Nuova, 12,
 I-35014 Fontaniva (PD) Italia

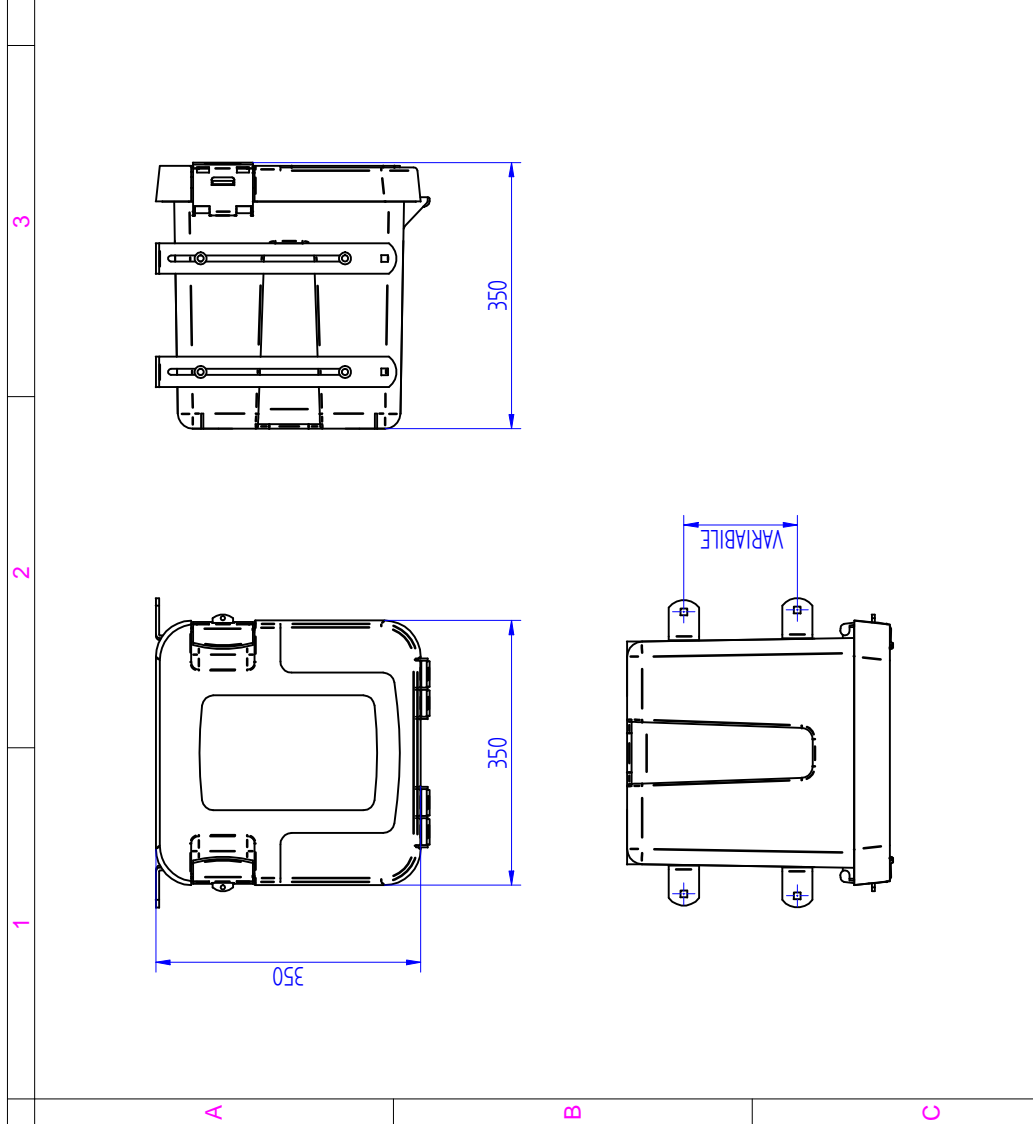
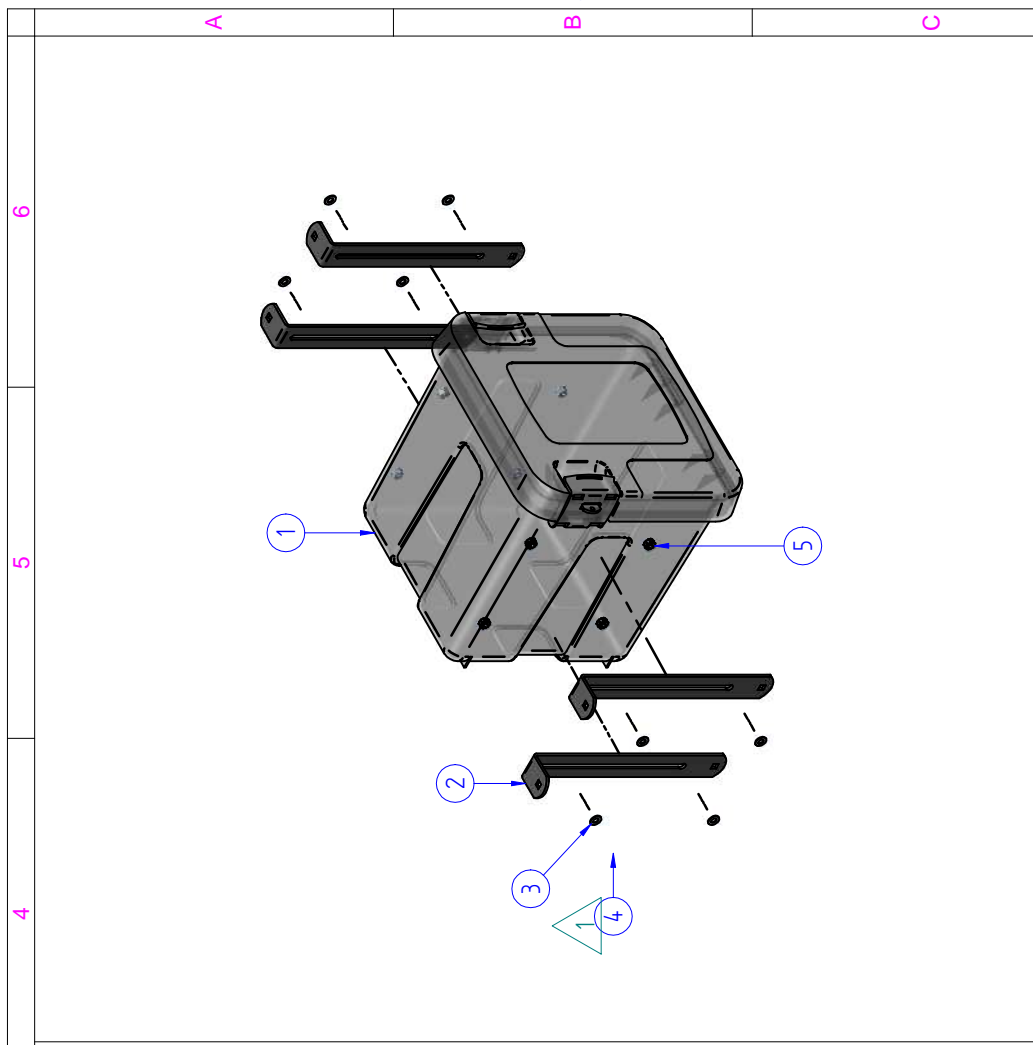
ELENCO ALLEGATI
ATTACHMENTS

Disegni / Drawings:

Disegni degli assiemi delle protezioni laterali, disegni degli elementi di collegamento e dei supporti di fissaggio e relative istruzioni di montaggio sul veicolo :

General drawing of the lateral protection devices, drawings of connection parts and fixing elements and mounting instructions on the vehicle :

Modello <i>Model</i>	Data disegno <i>Drawing date</i>	Estensione di riferimento: <i>Reference extension</i>
MINI BOX 35	31/07/2009	00
NOVA BOX 50	11/03/2015	00
NOVA BOX 50 D	11/03/2015	00
NOVA BOX 60	01/09/2009	00
NOVA BOX 64	01/09/2009	00
NOVA BOX 80	01/09/2009	00
033100020	02/09/2015	00



Numero oggetto	Titolo	Quantità
1	MINI BOX (35 x35 x 35)	1
2	RIGA LAT TIPO A 3/4 mm NERO con viti M8 classe 8.8	4
3	RONDELLA FE PIANA M8 16x8,4x1,6 ZB	16
4	VITE TE 4,8 M8 x20 ZB	8
5	DAIDO MEDIO 5588 PG M8 ZN	8

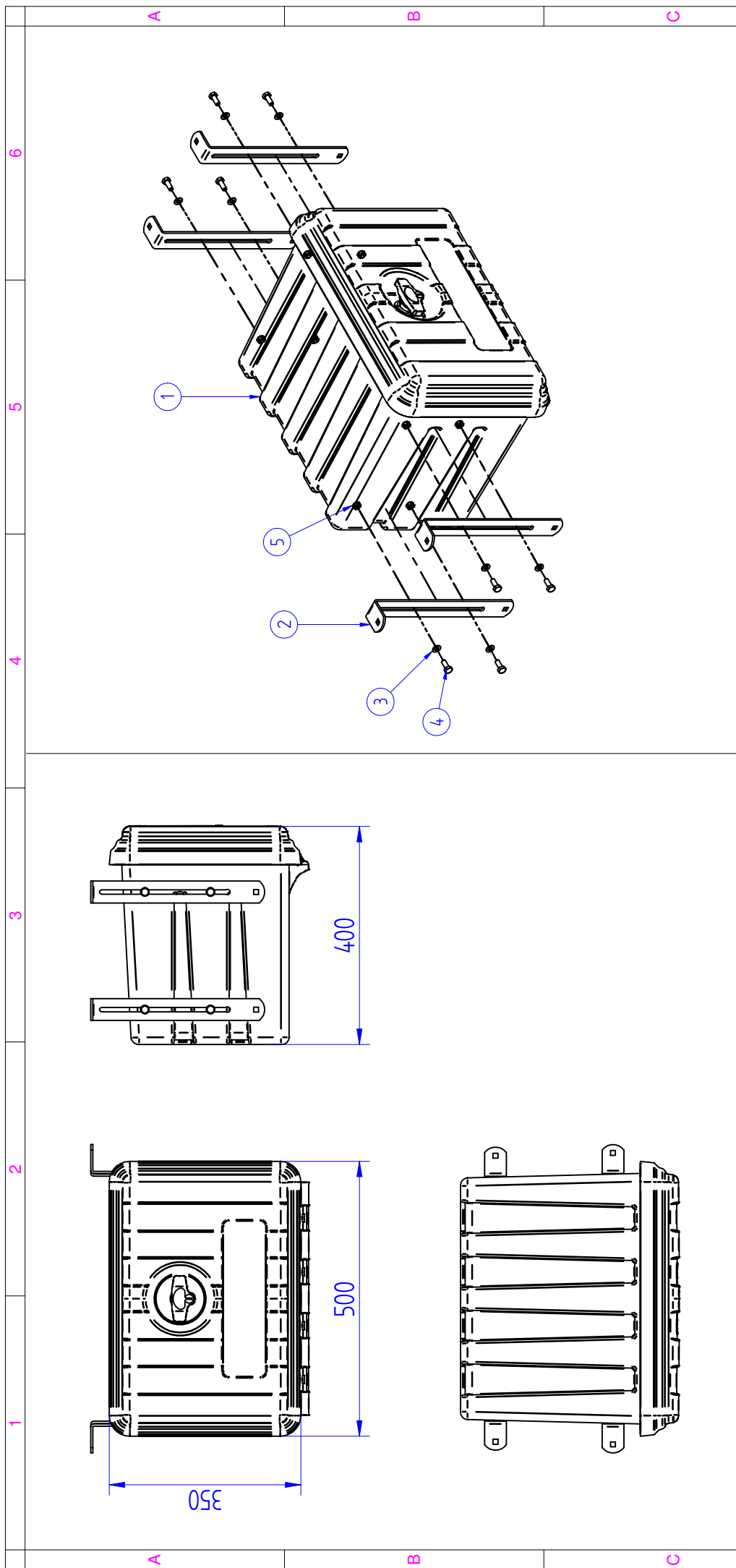
CO.PAR. Via Cassini Nuova, 12 35074 Fontanafredda (PD) - ITALY Tel. +39 049 9445040 Fax. +39 049 9445004	Disegnato	
	Data	3/07/09
	Firma	ALBERT L.
	Materiale	Peso 3,8 kg

MINI BOX 35 cod. ICAEA12000NO
KIT SUPPORTO cod. FSUM44XXN7

RIGA LAT TIPO A 3/4 mm NERO	

6 5 4 3 2 1

A B C D



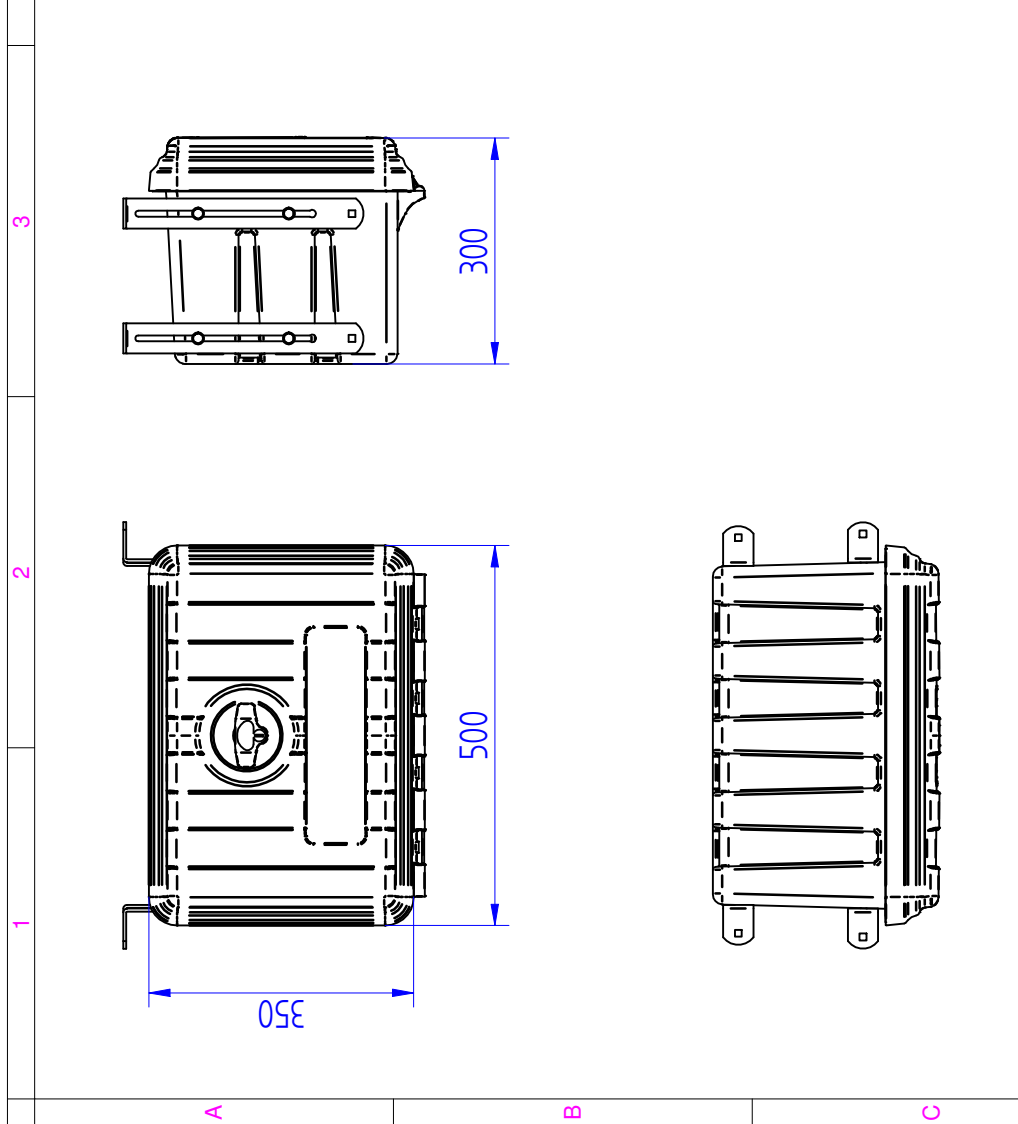
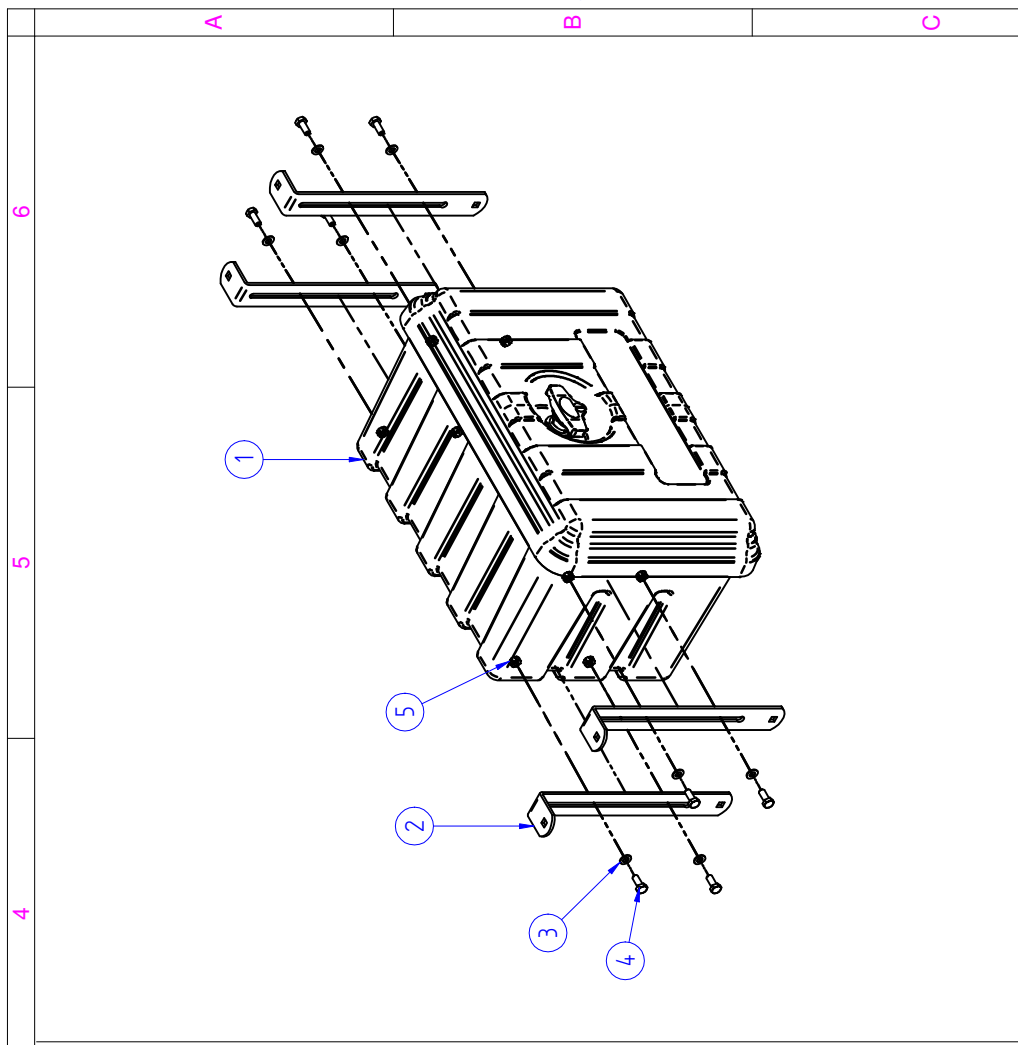
Numero oggetto	Titolo	Quantità
1	NOVA BOX 50 (50x40x35)	1
2	RIGA LAT TIPO A 314 mm con viti M8 classe 8.8	4
3	CATAF. NERO RONDELLA FE PIANA M8 16x8,4x16 ZB	16
4	VITE TE 4,8 M8x20 ZB	8
5	DIADO MEDIO 5588 PG M8 ZN	8

CO.PAR. Via Casoli Nuova, 12 35014 Fontaniva (PD) - ITALY Tel. +39 049 9445940 Fax +39 049 9449014	Disegnato	
	Data	11/03/2015
	Firma	Latberli
	Materiale	-
		Peso
		4,6 kg

NOVA BOX 50 (50x40x35) cod. ICBE20000NO
KIT SUPPORTO cod. FSUM44XXN7

PROPRIETA' PRIVATA. SONO PROIBITE RIPRODUZIONI E/O UTILIZZAZIONI DI QUESTO DISEGNO SENZA LA PREVENTIVA AUTORIZZAZIONE SCRITTA DELLA DITTA

RIGA LAT TIPO A 314 mm CATAF. NERO



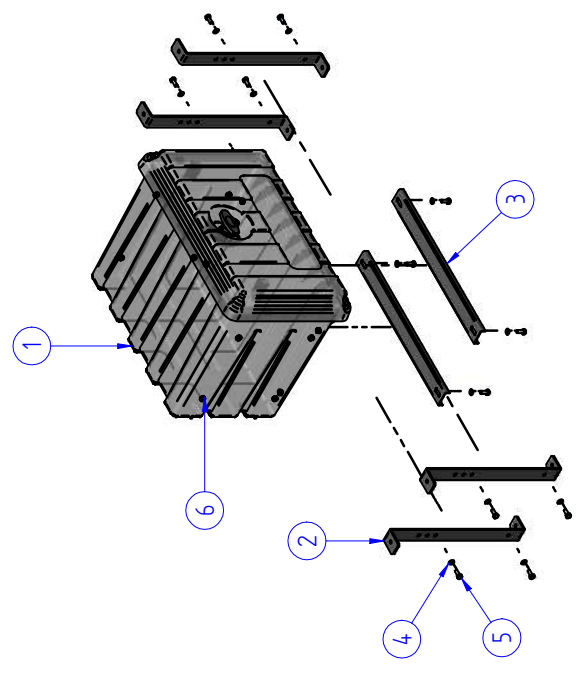
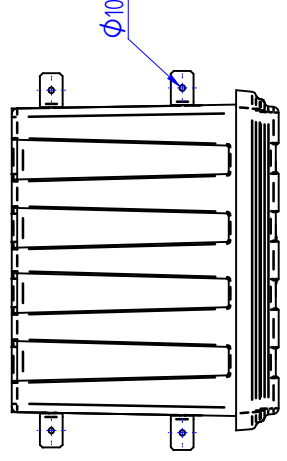
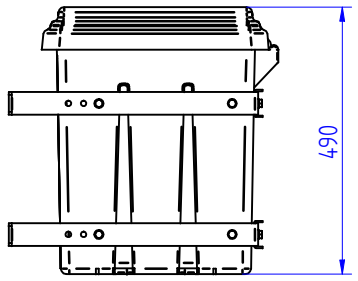
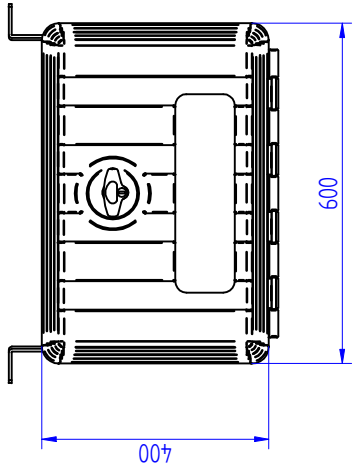
Numero oggetto	Titolo	Quantità
1	NOVA BOX 50 D (50x30x35)	1
2	RIGA LAT TIPO A 314 mm CATAF. NERO con viti M8 classe 8.8	4
3	RONDELLA FE PIANA M8 16x8,4x1,6 ZB	16
4	VITE TE 4,8 M8x20 ZB	8
5	DIADO MEDIO 5588 PG M8 ZN	8

CO.PAR. Via Casom Nuova, 12 35014 Fontanafredda (PD) - ITALY Tel. +39 049 9445940 Fax +39 049 9449014 PROPRIETA' PRIVATA. SONO PROIBITE RIPRODUZIONI E/O UTILIZZAZIONI DI QUESTO DISEGNO SENZA LA PREVENTIVA AUTORIZZAZIONE SCRITTA DELLA DITTA	Data	Disegnato
	1/03/2015	Latberfi
	Firma	
		Peso

RIGA LAT TIPO A 314 mm CATAF. NERO	

NOVA BOX 50 D (50x30x35) cod. ICBE819000NO
 KIT SUPPORTO cod. FSUM44XXN7

A	1	2	3	4
A	6	5	6	6
B	1	2	3	4
B	6	5	6	6
C	1	2	3	4
C	6	5	6	6
D	1	2	3	4
D	6	5	6	6



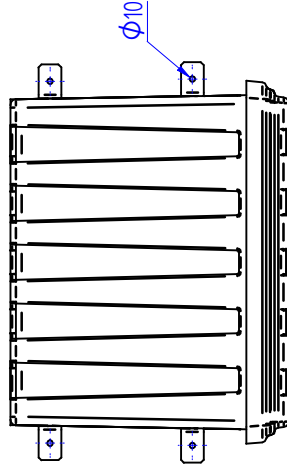
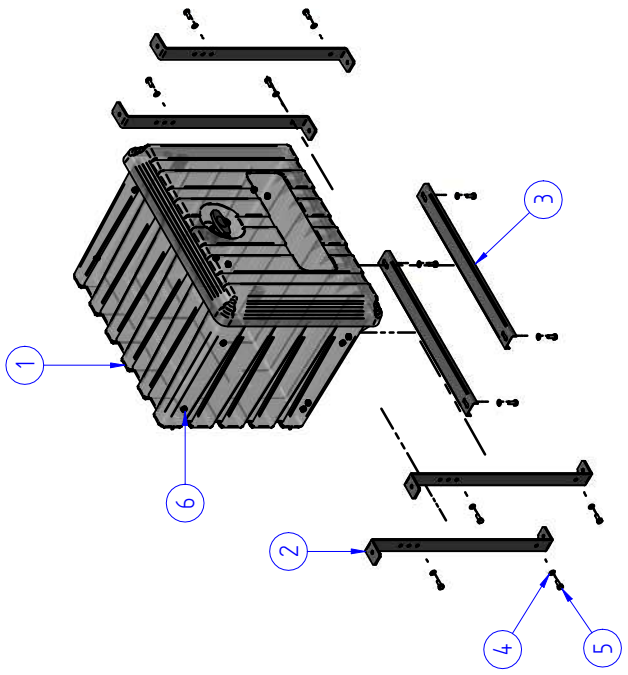
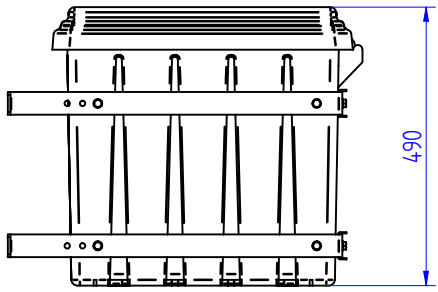
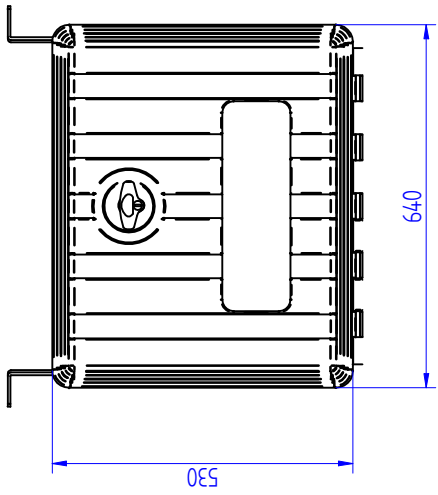
Numero oggetto	Titolo	Quantità
1	NOVA BOX 60 160x47x40	1
2	RIGA LAT TIPO C 480 mm NERO con viti M8 classe 8.8	4
3	SOST INF TIPO L 530 mm NERO	2
4	RONDELLA FE PIANA M8 16x8,4x1,6 ZB	24
5	VITE TE 4,8 M8x20 ZB	12
6	DADO MEDIO 5588 PG M8 ZN	12

CO.PAR.
 Via Cassini Nuova, 12
 35074 Fontanafredda (PD) - ITALY
 Tel. +39 049 9445040
 Fax. +39 049 9445904

Disegnato	
Data	07/09/09
Firma	ALBERT L.
Materiale	Peso 9,7 kg

NOVA BOX 60 cod. ILBEC32000NO
KIT SUPPORTO cod. FSUMKT4B2LIN7

PROPRIETA' PRIVATA. SONO PROIBITE RIPRODUZIONI E/O UTILIZZAZIONI DI QUESTO DISEGNO SENZA LA PREVENTIVA AUTORIZZAZIONE SCRITTA DELLA DITTA.



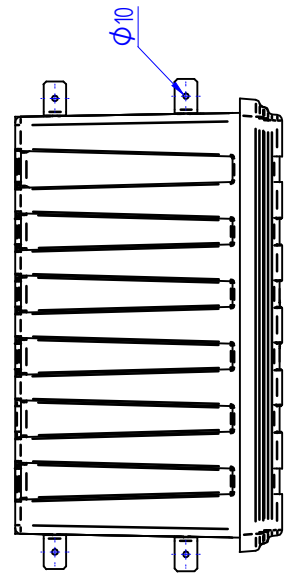
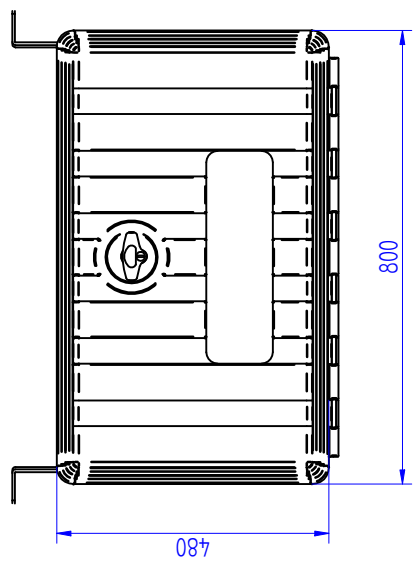
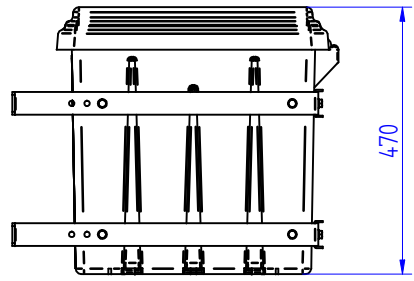
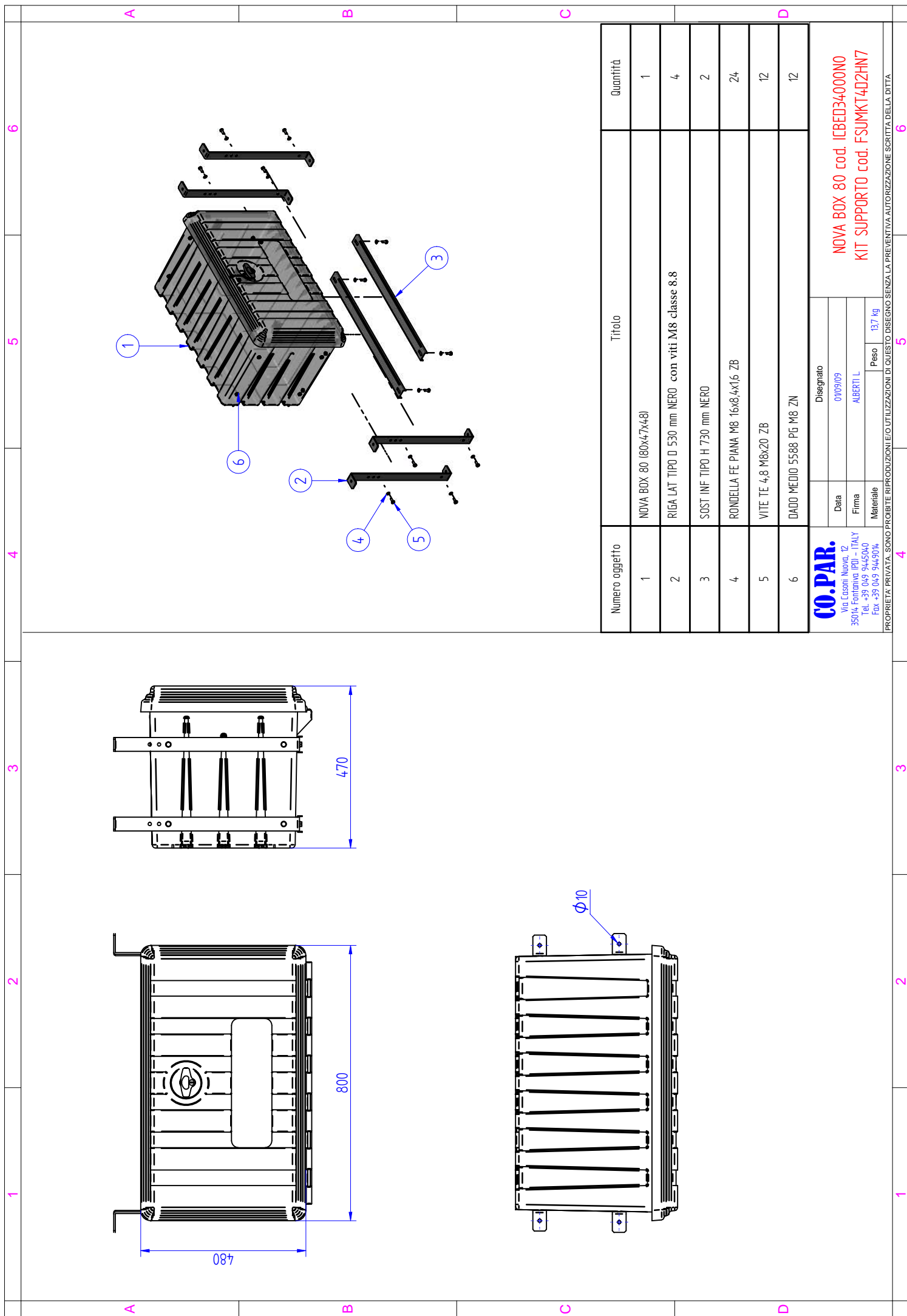
Numero oggetto	Titolo	Quantità
1	NOVA BOX 64 (64x49x53)	1
2	RIGA LAT TIPO E 580 mm NERO con viti M8 classe 8.8	4
3	SOST INF TIPO K 570 mm NERO	2
4	RONDELLA FE PIANA M8 16x8,4x1,6 ZB	24
5	VITE TE 4,8 M8x20 ZB	12
6	DADO MEDIO 5588 PG M8 ZN	12

CO.PAR.
 Via Cassini Nuova, 12
 35014 Fontanafredda (PD) - ITALY
 Tel. +39 049 9445040
 Fax. +39 049 9445904

Disegnato	
Data	01/09/09
Firma	ALBERT L.
Materiale	Peso 10,1 kg

NOVA BOX 64 cod. ILBEE45000NO
KIT SUPPORTO cod. FSUMKT4E2KN7

PROPRIETA' PRIVATA. SONO PROIBITE RIPRODUZIONI E/O UTILIZZAZIONI DI QUESTO DISEGNO SENZA LA PREVENTIVA AUTORIZZAZIONE SCRITTA DELLA DITTA.



Numero oggetto	Titolo	Quantità
1	NOVA BOX 80 (80x47x48)	1
2	RIGA LAT TIPO D 530 mm NERO con viti M8 classe 8.8	4
3	SOST INF TIPO H 730 mm NERO	2
4	RONDELLA FE PIANA M8 16x8,4x1,6 ZB	24
5	VITE TE 4,8 M8x20 ZB	12
6	DADO MEDIO 5588 PG M8 ZN	12

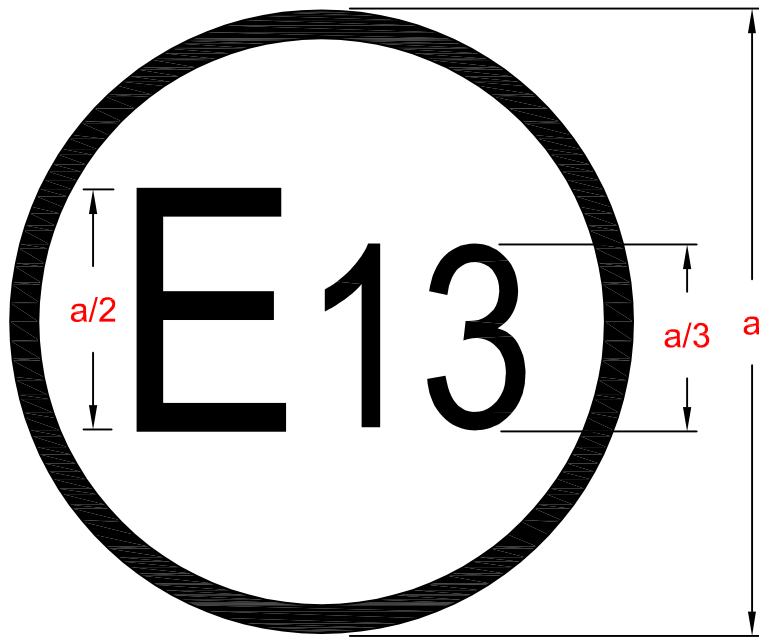
CO.PAR.
 Via Cassini Nuova, 12
 35014 Fontanafredda (PD) - ITALY
 Tel. +39 049 9445940
 Fax. +39 049 9445904

Disegnato
 01/09/09
 Firma
 ALBERT L.
 Materiale
 Peso 13,7 kg

NOVA BOX 80 cod. ILBED3400NO
 KIT SUPPORTO cod. FSUMKT4D2HN7

PROPRIETÀ PRIVATA. SONO PROIBITE RIPRODUZIONI E/O UTILIZZAZIONI DI QUESTO DISEGNO SENZA LA PREVENTIVA AUTORIZZAZIONE SCRITTA DELLA DITTA.

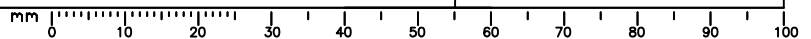
DISEGNO ESEGUITO CON CAD
sono ammesse modifiche solo con CAD



$a/3$ 73R-01
XXXXX

$a \geq 8 \text{ mm}$

2		MATERIALE	PESO	SCALA	
1	MODIFICHE			1:---	
DITTA CO.PAR. S.r.l. Via Casoni Nuova, 12 35014 - Fontaniva (PD)		DESCRIZIONE Marchio di omologazione		DATA 09.02.2015	
				NOME FILE 033100020	DIS. E.S
Studio Tecnico VERONA		TIPO DISPOSITIVO MINIBOX / NOVABOX		DISEGNO N. 033.10.002.0	





GRAND-DUCHÉ DE LUXEMBOURG

Ministère du Développement durable
et des Infrastructures

Département des Transports

L-2938 Luxembourg

SOCIÉTÉ NATIONALE DE
CERTIFICATION ET D'HOMOLOGATION

s.à r.l.

Registre de Commerce: B 27180

L-5201 Sandweiler



Référence: E13*73R00*73R01*0023*02

Annexes: - Rapport Technique
- Fiche de Renseignements du constructeur

Luxembourg, le 17 janvier 2017

COMMUNICATION



concernant 2/:
concerning 2/:

- ~~DÉLIVRANCE D'UNE HOMOLOGATION~~
APPROVAL GRANTED
- ~~EXTENSION D'HOMOLOGATION~~
APPROVAL EXTENDED
- ~~REFUS D'HOMOLOGATION~~
APPROVAL REFUSED
- ~~RETRAIT D'HOMOLOGATION~~
APPROVAL WITHDRAWN
- ~~ARRÊT DÉFINITIF DE LA PRODUCTION~~
PRODUCTION DEFINITELY DISCONTINUED

d'un type de: dispositif de protection latérale (DPL) en vertu de la partie II du Règlement N° 73
of a type of: lateral protection device (LPD) pursuant to Part II of Regulation N° 73


Numéro d'homologation:

Approval number:

E13*73R00*73R01*0023*02

Marque d'homologation:

Approval mark:

 73 R-010023

1. Nom et marque commerciale du DPL:

Trade name or mark of LPD:

CO.PAR. S.r.l.

2. Type de DPL:

Type of LPD:

MINI BOX / NOVA BOX

3. Nom et adresse du fabricant:

Name and address of manufacturer:

CO.PAR. SRL
Via Casoni Nuova, 12
I – 35014 Fontaniva (PD)

4. Le cas échéant, nom et adresse du représentant du fabricant:

If applicable, name and address of manufacturer's representative:

not applicable

5. Caractéristiques du DPL (dimensions et éléments de fixation):

Characteristics of the LPD (dimensions and its links):

see manufacturer's information folder

6. **Essai effectué sur un montage rigide / sur un véhicule / sur des éléments représentatifs du véhicule 2/:**
 Test conducted on a rigid bench / on a vehicle / on a representative part of the vehicle 2/: on a rigid bench
7. **Emplacement, sur le DPL, des points d'application des forces d'essai:**
 Position on the LPD of the points of application of the test forces: center of device
8. **Catégorie de véhicule sur laquelle le DPL peut être installé:**
 Vehicle category on which the LPD may be installed: N2, N3, O3, O4
9. **Dispositif présenté à l'homologation le:**
 Device submitted for approval on: 21.12.2016
10. **Autorité déléguée:**
Assigned authority: Société Nationale de Certification et d'Homologation L-5201 Sandweiler
- Service technique chargé des essais d'homologation:**
 Technical service responsible for conducting approval tests: Luxcontrol SA
 B.P. 349
 L-4004 Esch-sur-Alzette
11. **Date du procès-verbal émis par ce service:**
 Date of report issued by that service: 09.01.2017
12. **Numéro du procès-verbal émis par ce service:**
 Number of report issued by that service: LCA 54 0853 002 16
13. **Homologation:**
 Approval: ~~accordée~~ / ~~refusée~~ / étendue / ~~retirée~~ 2/
 granted / refused / extended / withdrawn 2/
14. **Emplacement, sur le DPL, de la marque d'homologation:**
 Position of approval mark on the LPD: stamped on the inner part of the cover and on the linking parts (see manufacturer's information document)

15. **Lieu:**
Place: Luxembourg

16. **Date:**
Date: 17 janvier 2017

17. **Signature:**
Signature:

**Pour le Ministre du Développement durable
et des Infrastructures**

Pour la SNCH



Marco FELTES
Inspecteur Principal 1^{er} en rang



Claude LIESCH
Directeur



18. **Les pièces suivantes, qui portent le numéro d'homologation indiqué ci-dessus, sont disponibles sur demande:**

The following documents, bearing the approval number shown above, are available upon request:

see index to type-approval report

Modifications faisant l'objet de la présente extension
Modifications of this extension

- Attachment brackets added;
- NOVA BOX 100 (1000 mm length added).

2/ Biffer la mention inutile.
Delete where not applicable.



GRAND-DUCHÉ DE LUXEMBOURG

Ministère du Développement durable
et des Infrastructures

Département des Transports

L-2938 Luxembourg

SOCIÉTÉ NATIONALE DE
CERTIFICATION ET D'HOMOLOGATION

s.à r.l.

Registre de Commerce: B 27180

L-5201 Sandweiler



Référence: E13*73R00*73R01*0023*02

Annexes: - Rapport Technique
- Fiche de Renseignements du constructeur

Luxembourg, le 17 janvier 2017

Index du dossier d'homologation

Index to type-approval report

	Numéro d'homologation: Approval number:	E13*73R00*73R01*0023*02
	Révision: Revision:	00
	Marque de fabrique ou de commerce: Trade name or mark:	CO.PAR. S.r.l.
	Type: Type:	MINI BOX / NOVA BOX
1.	Procès-verbal d'essai: Test report:	N° LCA 54 0853 002 16
	- Technical report:	Pages 1 to 7;
	- Index to information folder:	Annex A - Pages 1 & 2.
2.	Dossier du constructeur: Report of the manufacturer:	N° SI/COP-03-02
	- Information folder:	<u>refer to Annex A of technical report.</u>
3.	Autres documents annexés: Other documents annexed:	not applicable
4.	Date de délivrance de l'homologation initiale: Date of issue of initial type approval:	02.06.2015
5.	Date de la dernière délivrance de pages révisées: Date of last issue of revised pages:	not applicable
6.	Date de la dernière délivrance d'une homologation révisée: Date of last extension:	17.01.2017

TECHNICAL REPORT

No.: LCA 54 0853 002 16

Inspection concerning the
approval of goods vehicles, trailers and semi-trailers with regard to their lateral protection

performed according to

ECE-Regulation No. R73

PART II

LPD type: **MINI BOX / NOVA BOX**
Manufacturer: **CO.PAR. SRL**
Via Casoni Nuova, 12
I – 35014 Fontaniva (PD)

Extension 02 to ECE Type Approval no.: E13*R73R00*R73R01*0023*00

Index:

1.	General	Page 2
2.	Inspections and their results	Page 3
3.	Evaluation of test results	Page 6
4.	Statement of compliance Annex (beginning with an index)	Page 7

A reproduction of this report and its annexes, except in full, is prohibited without the written permission of Luxcontrol s.a.



1. General

1.1. Test provisions

The inspection was carried out according to ECE-Regulation No. R73 including series 01 of amendment which entered into force on December 09, 2010.

1.2. Information concerning the vehicle type and the requested approval

The statements below apply to the previous type-approval as referred to on page 1.

1.2.1. [] Numbering according to the communication concerning the approval following ECE-R73, PART II, Annex 1

[1.]	Trade name or mark of LPD:	CO.PAR. S.r.l.
[2.]	Type of LPD:	MINI BOX / NOVA BOX
[3.]	Manufacturer's name and address:	CO.PAR. SRL Via Casoni Nuova, 12 I – 35014 Fontaniva (PD)
[4.]	If applicable, name and address of manufacturer's representative:	Not applicable
[5.]	Characteristics of the LPD (dimensions and its links):	See information document
[6.]	Test conducted on a rigid bench/ on a vehicle/ on a representative part of the vehicle:	Not applicable calculation, supported by physical test made on rigid bench
[7.]	Position on the LPD of the points of application of the test forces:	Center of device
[8.]	Vehicle category on which the LPD may be installed:	N2, N3, O3, O4
[9.]	Device submitted for approval on:	21 December 2016
[14.]	Position of approval mark on the LPD:	See Annex B



2. Inspections and their results

2.1. Version of the tested item

Following version has been used for testing the lateral protection (if not stated in part 1.2.1 of this report):

Version: Nova Box 80

2.2. Inspection items

	Inspector	Location of test	Date of receipt of test item	Date of test / verification
Main report	A. Tomasini	Luxcontrol s.a.	26.02.2015	23.03.2015
		Evit I - Verona		21.05.2015
Ext 1	A. Tomasini	Luxcontrol s.a.	Oct 2015	16.10.2015
Ext 2	G Zivelonghi	Evit I - Verona	21.12.2016	21.12.2016
	A. Tomasini	Luxcontrol s.a.	9.01.2017	9.01.2017

2.2.1. GENERAL REQUIREMENTS:

The conditions of the Regulation under item 14 are satisfied.

2.2.2. TECHNICAL SPECIFICATIONS FOR LATERAL PROTECTIVE DEVICES:

14.1. Outer surface:

- requirements fulfilled
- external edges and corners > 2.5 mm radius

14.2. Side guards:

- continuous surface, horizontal rails (< 300 mm apart)
- ~~min 50 mm high~~ / min 100 mm high

14.3. Forward edge:

- continuous vertical member
- outer and forward faces ~~50 mm~~ / 100 mm rearwards
- turned 100 mm inwards
- ~~or have a minimum radius of 50 mm / 100 mm~~



14.4. Material:

- rigid metal
- Rigidity of 1kN requirement fulfilled
- Position of applied forces:

Version	Distance of attachments brackets	Position of applied force	Deformation [mm]	Limit [mm]
Nova Box 80	1200 mm (*)	Center (600 mm from brackets)	7,6 (*)	150
		Lower left corner	7,3 (*)	150
		250 mm forward of last bracket (no such position forward to last bracket) Force applied on center being considered as worst case	7,6 (*)	30
		Physical test made for comparison	4 (**)	

(*) the Nova Box has a length of 800mm. But in order to cover future variations, the calculation has been made considering the length of the box of 1200 mm, with the distance of attachments being of 1200 mm

(**) the physical test has been made on Nova Box 80

The tested version Nova Box 80 and the calculation made for a box length of 1200 mm represent the worst case configuration. All other versions are covered by this test and calculation.



Extension 2

Version	Distance of attachments brackets	Position of applied force	Deformation [mm]	Limit [mm]
Nova Box 100 Optional brackets Drawings: - FSUMKT2X2NN7 - 0020122016 - FACCANMBSXN7	1000 mm	Center (500 mm from brackets)	4	150
		Lower left corner	7,3	150
		250 mm forward of last bracket (no such position forward to last bracket) Force applied on center being considered as worst case	4	30

14.5. Fixation:

- permanently fixed to the vehicle

14.6. Several positions at the side of the vehicle:

- not applicable

Requirements for LPD strength were fulfilled without failures



2.3. **Remarks**

2.3.1. **General**

Inspection results are only applicable to items, which have been tested.

2.4. **Test facilities**

All measuring and test equipment used to carry out the inspections is in accordance with the EC-Directive and/or ECE-Regulation stated in 1.1. of this report and with the ISO 17025.

3. **Evaluation of test results**

3.1. **Variations and equipment covered**

The tests carried out cover the following variations as far as these are relevant for the lateral protection device:

- **See information folder**

3.2. **Remark**

3.2.1. **General**

The test results stated above are representative for this device.

3.2.2. **Extension 1**

Corrected:

- For NOVA BOX 60, information concerning lateral brackets (430 mm instead of 480 mm). Item number 2 in drawing.

3.2.3. **Extension 2**

Added:

- Optional attachment brackets
- NOVA BOX 100 (1000 mm length)

Compliance has been shown by performing new tests.



4. **Statement of compliance**

The inspections items and measurements carried out have shown the compliance of the vehicle type described in this report and the attached Annex with the requirements of ECE-Regulation No. R73 including amendment 01 which entered into force on December 09, 2010.

L – Esch/Alzette, January 9th, 2017

Luxcontrol s.a.
Service Homologation-automobile

Angelo Tomasini
Ingénieur-Inspecteur

David Durazzi
Ingénieur-Inspecteur



Index to the information folder:

- Manufacturer's information document (page 1 to 5)
 - Nova Box 100 + added optional brackets (page 6 to 11)
-



SCHEDA INFORMATIVA
INFORMATION FOLDER

N° SI/COP-03-02 of 20.12.2016

CO.PAR S.r.l.
Via Casoni Nuova, 12,
I-35014 Fontaniva (PD) Italia

Conforme al Reg. ECE ONU N° 73 serie di modifiche 01 per l'omologazione di un Dispositivo di Protezione Laterale (LPD)
According to Reg. ECE ONU N°73, series of amendments 01, concerning the approval of a Lateral Protective Device (LPD)

INDICE / INDEX

Descrizione:

Pagina:

DATI GENERALI

2

GENERAL

2

CARATTERISTICHE COSTRUTTIVE GENERALI DEL DISPOSITIVO DI PROTEZIONE LATERALE

3

GENERAL CONSTRUCTION CHARACTERISTICS OF THE LATERAL PROTECTION DEVICE

3

ELENCO ALLEGATI

5

ATTACHMENTS

5



SCHEDA INFORMATIVA
INFORMATION FOLDER
N° SI/COP-03-02 of 20.12.2016

CO.PAR S.r.l.
Via Casoni Nuova, 12,
I-35014 Fontaniva (PD) Italia

0. DATI GENERALI
GENERAL

- | | | |
|------|--|--|
| 0.1. | Marca (denominazione commerciale del costruttore):
<i>Make (trade name of manufacturer):</i> | CO.PAR. S.r.l. |
| 0.2. | Tipo del dispositivo di protezione laterale:
<i>Type of the lateral protection device:</i> | Tipo / Type : MINI BOX / NOVA BOX |
| 0.5. | Denominazione e indirizzo del costruttore:
<i>Name and address of manufacturer:</i> | CO.PAR. S.r.l.
Via Casoni Nuova, 12,
I-35014 Fontaniva (PD) Italia |
| 0.6. | Posizione e modalità di apposizione del marchio di omologazione per componenti ed entità tecniche:
<i>In case of components and separate technical units, location and method of affixing of the approval mark:</i> | Marchio di omologazione inciso o punzonato nella parte posteriore del coperchio e sui supporti
<i>Approval mark stamped on the inner part of the cover and on the linking parts</i>

Vedere disegno 033100020 del 09/02/2015
<i>See drawing 033100020 del 09/02/2015</i> |
| 0.8. | Indirizzo dello o degli stabilimenti di montaggio:
<i>Address(es) of assembly plant(s):</i> | Via Casoni Nuova, 12,
I-35014 Fontaniva (PD) Italia |



SCHEDA INFORMATIVA
INFORMATION FOLDER

N° SI/COP-03-02 of 20.12.2016

CO.PAR S.r.l.

Via Casoni Nuova, 12,
I-35014 Fontaniva (PD) Italia

1. CARATTERISTICHE COSTRUTTIVE GENERALI DEL DISPOSITIVO DI PROTEZIONE LATERALE
GENERAL CONSTRUCTION CHARACTERISTICS OF THE LATERAL PROTECTION DEVICE

- 1.1. Descrizione completa e/o disegni del dispositivo di protezione laterale (compresi gli elementi di supporto e di fissaggio):
Full description and/or drawing of the lateral protection device (including mounting and fittings):
- vedere disegni / *see drawings*
MINI BOX 35 del 31/07/2009
NOVA BOX 50 del 11/03/2015
NOVA BOX 50 D del 11/03/2015
NOVA BOX 60 del 06/11/2011
NOVA BOX 64 del 01/09/2009
NOVA BOX 80 del 01/09/2009
NOVA BOX 100 del 27/07/2016
ICBEE3400N0 del 27/07/2016
FSUMKT4D2NN7 del 27/07/2016

Materiale / Material :

Cassetta / Box:

Polipropilene co-polimero / Copolymer
polypropylene (σ_{min} : 16 MPa)

Supporti / Linking parts:

acciaio / steel S275JR+AR (σ_{min} : 275MPa)

Possibili supporti in alternativa, che possono essere utilizzati sui modelli:
Alternative linking parts, that can be used on the following models:

NOVA BOX 60; NOVA BOX 64;
NOVA BOX 80; NOVA BOX 100;

Vedere disegni / See drawings:

FSUMKT2X2NN7 del 28/07/2016
0020122016 del 28/07/2016
FACCANMBSXN7 del 19/12/2016

Materiale dei supporti in alternativa /
Material of alternative linking parts:

Componenti verticali (rif. 1 e 2 del disegno FSUMKT2X2NN7)

Vertical components (ref. 1 and 2 of drawing FSUMKT2X2NN7)

acciaio / steel S235JR (σ_{min} : 235MPa)

Componenti orizzontali (rif. 6 del disegno FSUMKT2X2NN7)

Horizontal components (ref. 6 of drawing FSUMKT2X2NN7)

acciaio / steel S275JR+AR (σ_{min} : 275MPa)

- 1.2. Categoria del veicolo su cui il dispositivo di protezione laterale può essere montato:

Vehicle category on which the LPD may be installed:

N2 - N3 - O3 - O4



SCHEDA INFORMATIVA
INFORMATION FOLDER

N° SI/COP-03-02 of 20.12.2016

CO.PAR S.r.l.

Via Casoni Nuova, 12,
I-35014 Fontaniva (PD) Italia

- 1.3. Istruzioni tecniche di montaggio della protezione laterale sui veicoli: vedere disegni / *see drawings*
Technical instructions for mounting the lateral protection device on the vehicle:
- MINI BOX 35 del 31/07/2009
 - NOVA BOX 50 del 11/03/2015
 - NOVA BOX 50 D del 11/03/2015
 - NOVA BOX 60 del 06/11/2011
 - NOVA BOX 64 del 01/09/2009
 - NOVA BOX 80 del 01/09/2009
 - NOVA BOX 100 del 27/07/2016**
 - ICBEE34000N0 del 27/07/2016**
 - FSUMKT4D2NN7 del 27/07/2016**
 - FSUMKT2X2NN7 del 28/07/2016**
 - 0020122016 del 28/07/2016**
 - FACCANMBSXN7 del 19/12/2016**

Verona, 20.12.2016

In Fede, per la Ditta
CO.PAR S.r.l.
.....
(dott. ing. Gabriele Zivelonghi)



SCHEDA INFORMATIVA
INFORMATION FOLDER

N° SI/COP-03-02 of 20.12.2016

CO.PAR S.r.l.
Via Casoni Nuova, 12,
I-35014 Fontaniva (PD) Italia

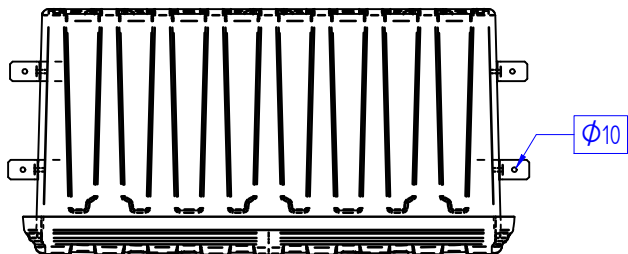
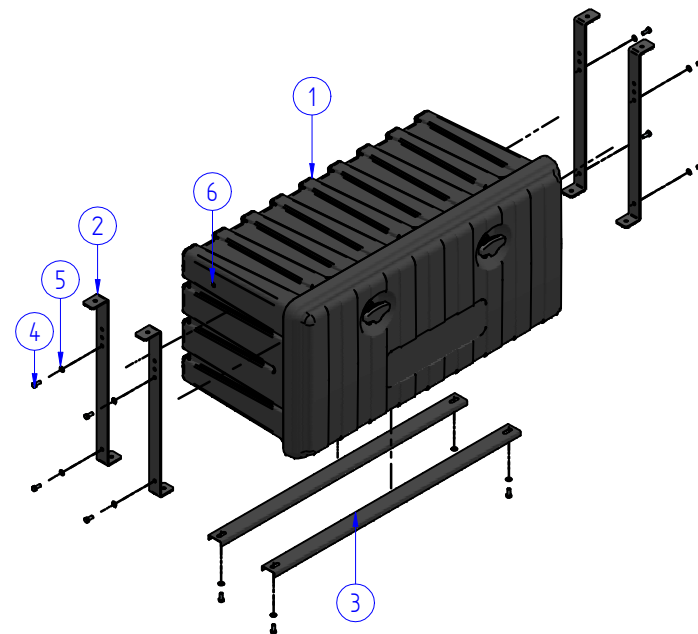
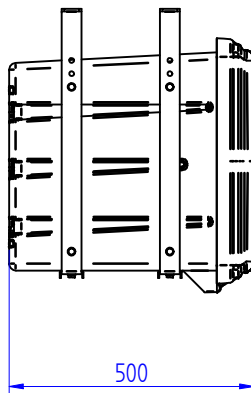
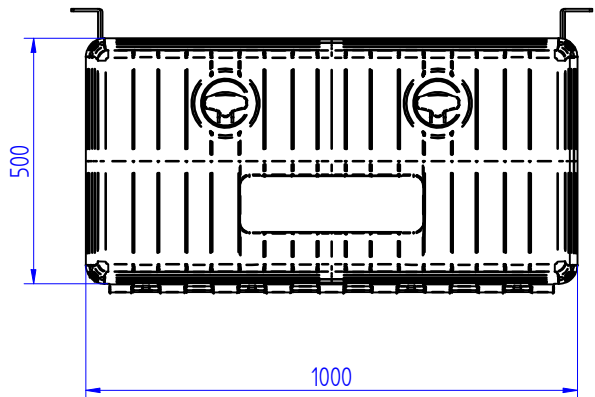
ELENCO ALLEGATI
ATTACHMENTS

Disegni / Drawings:

Disegni degli assiemi delle protezioni laterali, disegni degli elementi di collegamento e dei supporti di fissaggio e relative istruzioni di montaggio sul veicolo :

General drawing of the lateral protection devices, drawings of connection parts and fixing elements and mounting instructions on the vehicle :

Modello <i>Model</i>	Data disegno <i>Drawing date</i>	Estensione di riferimento: <i>Reference extension</i>
MINI BOX 35	31/07/2009	00
NOVA BOX 50	11/03/2015	00
NOVA BOX 50 D	11/03/2015	00
NOVA BOX 60	06/11/2011	01
NOVA BOX 64	01/09/2009	00
NOVA BOX 80	01/09/2009	00
NOVA BOX 100	27/07/2016	02
ICBEE34000N0	27/07/2016	02
FSUMKT4D2NN7	27/07/2016	02
033100020	02/09/2015	00
FSUMKT2X2NN7	28/07/2016	02
0020122016	28/07/2016	02
FACCANMBSXN7	19/12/2016	02



Numero oggetto	Titolo	Quantità
1	NOVA BOX 100	1
2	RIGA LAT TIPO D 530 mm CATAF. NERO con viti M8 classe 8.8	4
3	SOST INF TIPO N 920 mm CATAF. NERO	2
4	VITE TE 4,8 M8x20 ZB	12
5	RONDELLA FE PIANA M8 16x8,4x1,6 ZB	24
6	DADO ESAG M8 MEDIO 5588 PG Zn	12

CO.PAR.

Via Casani Nuova, 12
35014 Fontaniva (PD) - ITALY
Tel. +39 049 9445040
Fax +39 049 9449014

	Disegnato	
Data	27/07/2016	
Firma	m.bacchin	
Materiale		Peso 0,0 kg

NOVA BOX 100 cod. ICBE34-000N0
KIT SUPPORTO cod. FSUMKT4D2NN7

1

2

3

4

5

6

A

A

B

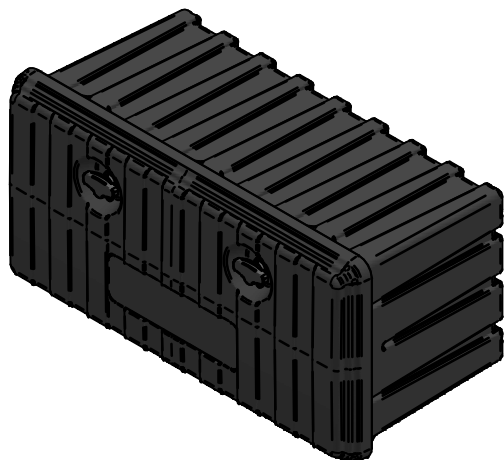
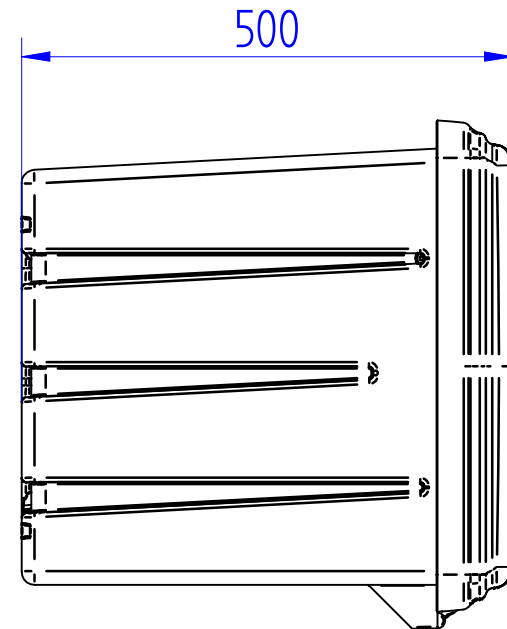
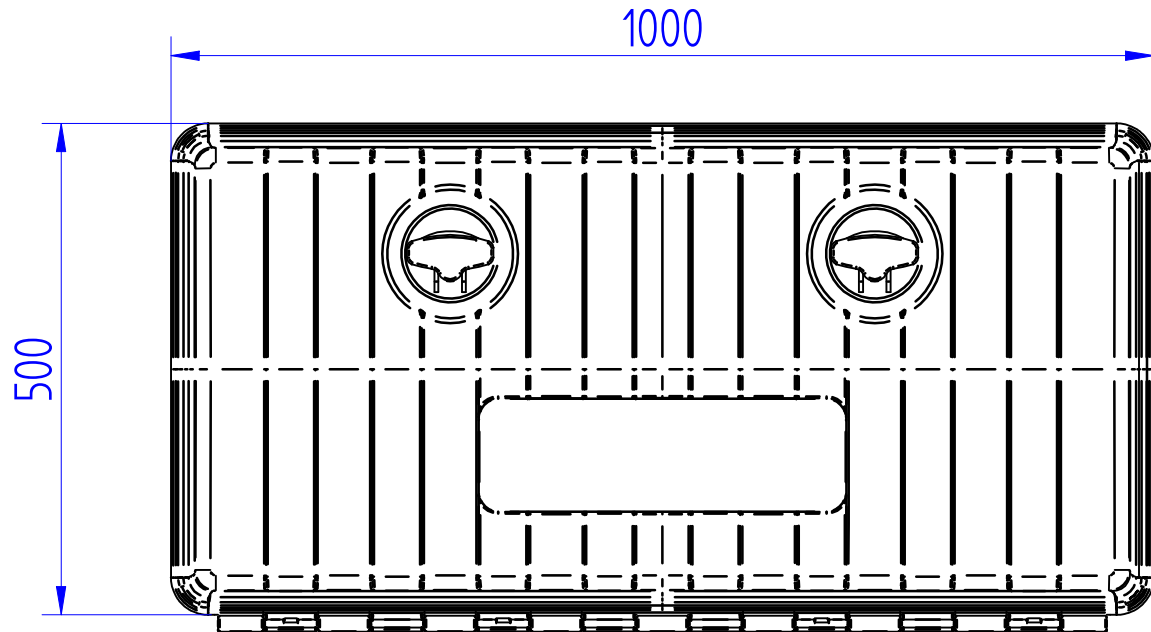
B

C

C

D

D



CO.PAR. Via Casoni Nuova, 12 35014 Fontaniva (PD) - ITALY Tel. +39 049 9445040 Fax +39 049 9449014	Disegnato			NOVA BOX 100	
	Data	27/07/2016			
	Firma	Bacchin M.			ICBEE34000N0
	Materiale	Potipropilene	Peso	9,4 kg	

PROPRIETA' PRIVATA. SONO PROIBITE RIPRODUZIONI E/O UTILIZZAZIONI DI QUESTO DISEGNO SENZA LA PREVENTIVA AUTORIZZAZIONE SCRITTA DELLA DITTA

1

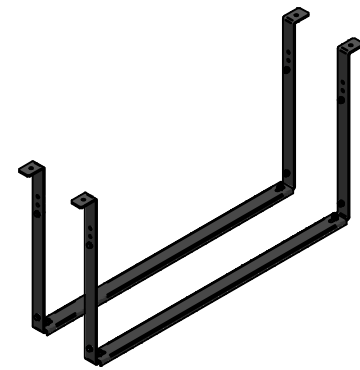
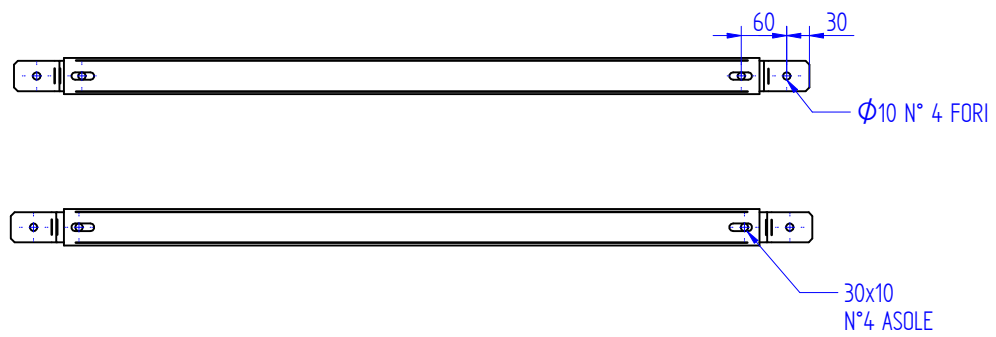
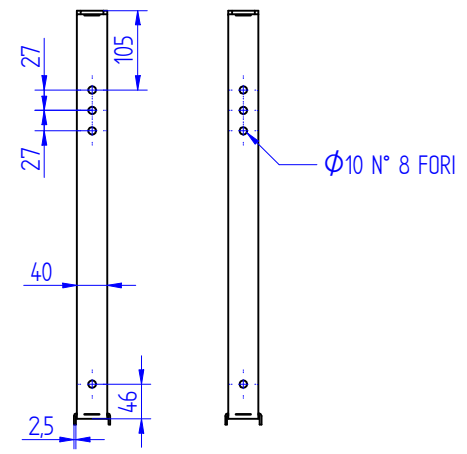
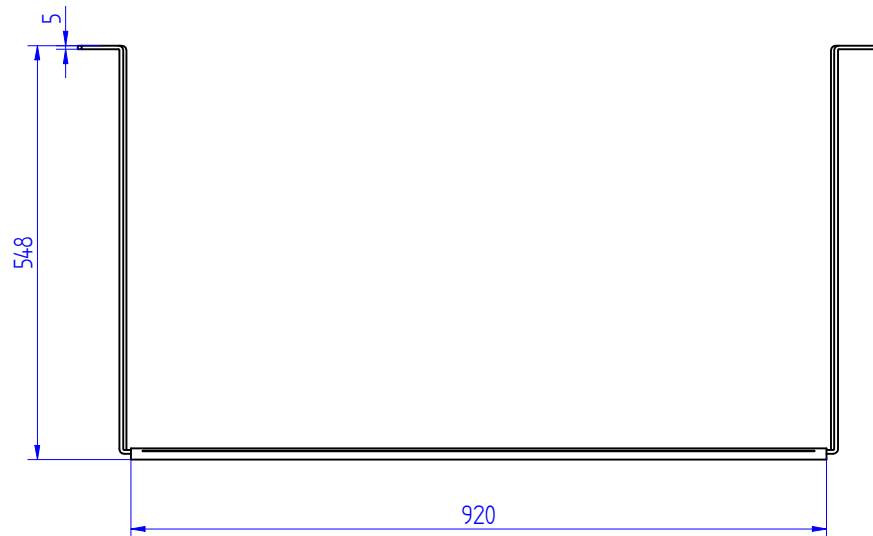
2

3

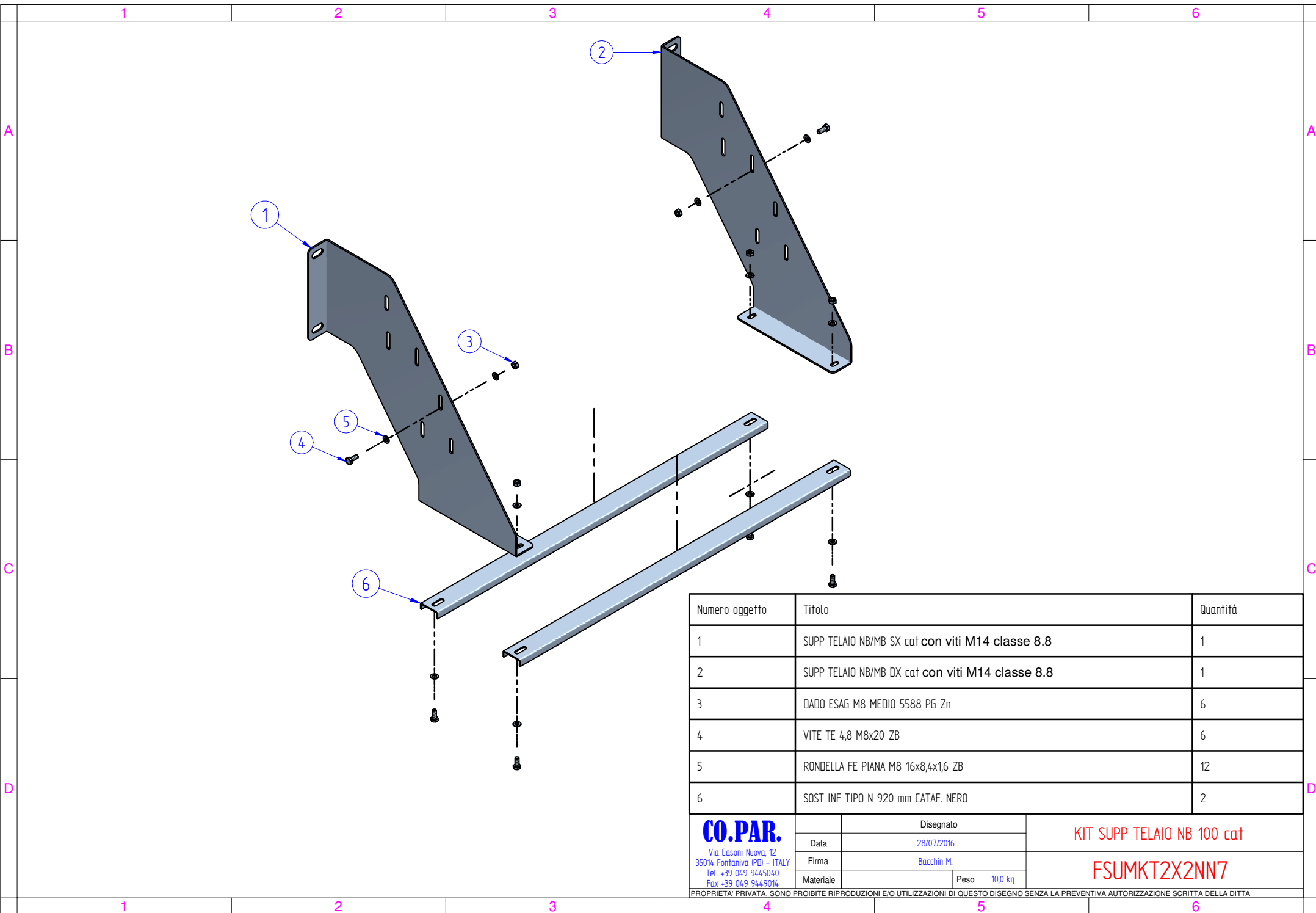
4

5

6



CO.PAR. Via Casoni Nuova, 12 35014 Fontaniva (PD) - ITALY Tel. +39 049 9445040 Fax +39 049 9449014	Disegnato		KIT SUPP CATAF NOVA BOX 100 FSUMKT4D2NN7	
	Data	27/07/2016		
	Firma	Bacchin M.	Materiale Peso 6,8 kg	
	PROPRIETA' PRIVATA. SONO PROIBITE RIPRODUZIONI E/O UTILIZZAZIONI DI QUESTO DISEGNO SENZA LA PREVENTIVA AUTORIZZAZIONE SCRITTA DELLA DITTA			



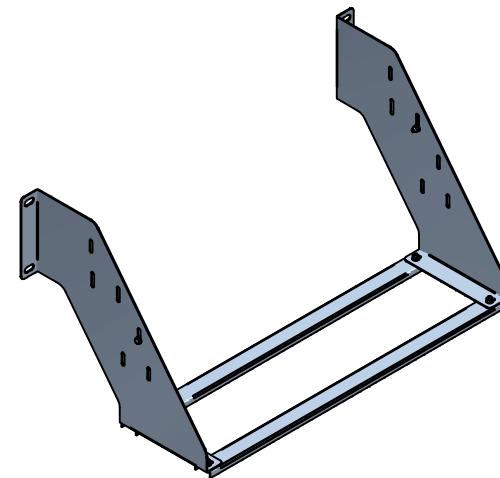
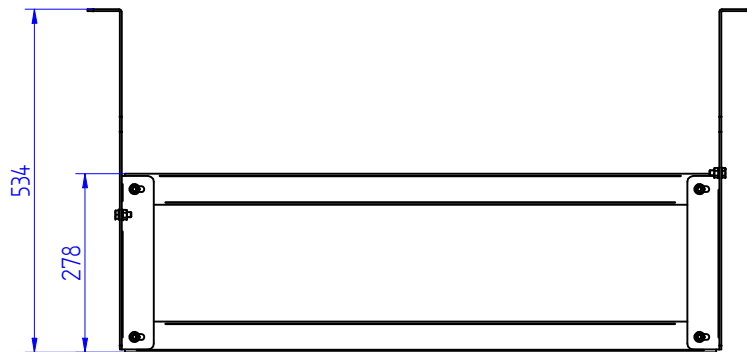
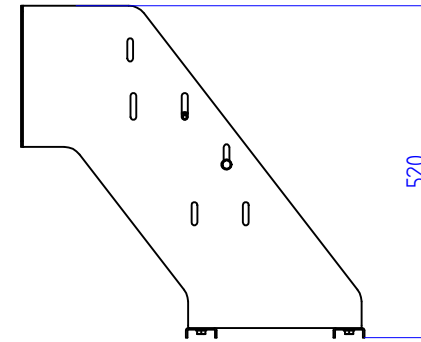
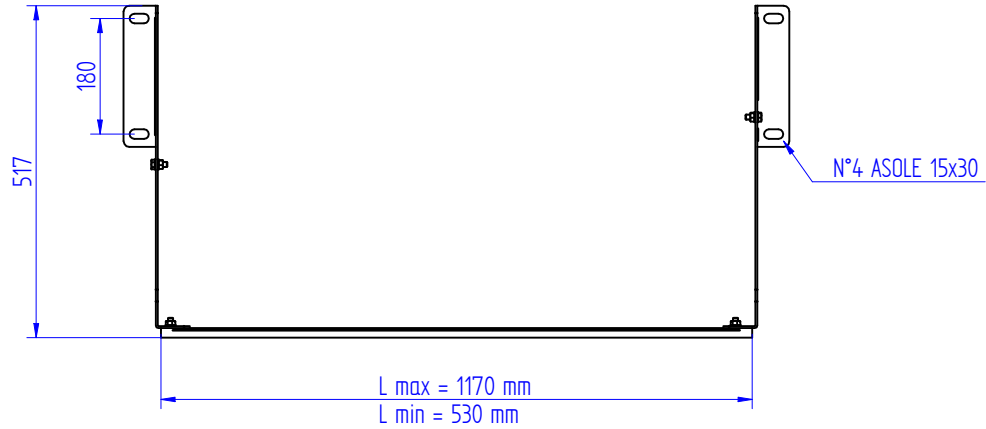
Numero oggetto	Titolo	Quantità
1	SUPP TELAIO NB/MB SX cat con viti M14 classe 8.8	1
2	SUPP TELAIO NB/MB DX cat con viti M14 classe 8.8	1
3	DADO ESAG M8 MEDIO 5588 P6 Zn	6
4	VITE TE 4,8 M8x20 ZB	6
5	RONDELLA FE PIANA M8 16x8,4x1,6 ZB	12
6	SOST INF TIPO N 920 mm CATAF. NERO	2

CO.PAR.

Via Casoni Nuova, 12
35014 Fontaniva (PD) - ITALY
Tel. +39 049 9445040
Fax +39 049 9449014

Disegnato	
Data	28/07/2016
Firma	Bacchin M.
Materiale	

KIT SUPP TELAIO NB 100 cat	
FSUMKT2X2NN7	
Peso	10,0 kg



CO.PAR. Via Casoni Nuova, 12 35014 Fontaniva (PD) - ITALY Tel. +39 049 9445040 Fax +39 049 9449014	Disegnato		NUOVO SUPPORTO CASSETTE 0020122016	
	Data	28/07/2016		
	Firma	Bacchin M.	Materiale	
	Peso	10,0 kg		
PROPRIETA' PRIVATA. SONO PROIBITE RIPRODUZIONI E/O UTILIZZAZIONI DI QUESTO DISEGNO SENZA LA PREVENTIVA AUTORIZZAZIONE SCRITTA DELLA DITTA				

1

2

3

4

5

6

A

B

C

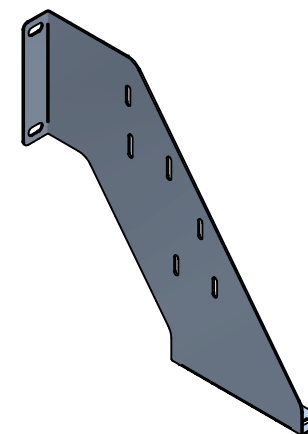
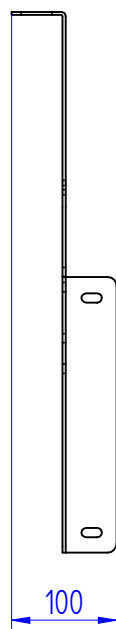
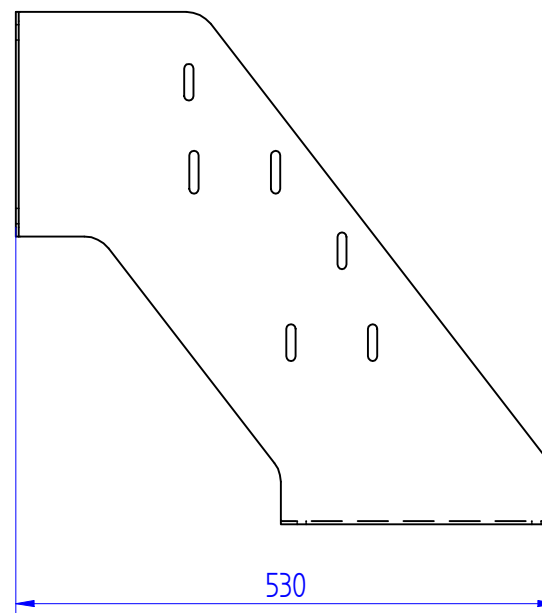
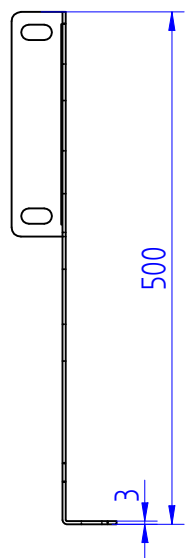
D

A

B

C

D



CO.PAR. Via Casani Nuova, 12 35014 Fontaniva (PD) - ITALY Tel. +39 049 9445040 Fax +39 049 9449014	Disegnato		SUPP TELAIO NB/MB SX cat	
	Data	19/12/2016		
	Firma	Bacchin M.	FACCANMBSXN7	
	Materiale	Peso 3,7 kg		

PROPRIETA' PRIVATA. SONO PROIBITE RIPRODUZIONI E/O UTILIZZAZIONI DI QUESTO DISEGNO SENZA LA PREVENTIVA AUTORIZZAZIONE SCRITTA DELLA DITTA

1

2

3

4

5

6